



AVAILABLE IN:
12V

1000W

2000W

3000W

ROBUST. DURABLE. FLEXIBLE.

The FREEDOM X inverter offers premium performance in a lightweight compact package. It cranks out full output from -4°F - 104°F (-20°C - 40°C) for operation in all climate temperatures. The extended surge rating of the FREEDOM X makes it ideal to start difficult loads including fridge and microwave. The quick connect terminals at AC IN/OUT make installation a breeze.



Exceptional full rated performance in all climate temperatures



True sine wave output for sensitive and motor loads



Ignition control feature turns inverter on/off via 12Vdc signal



View, control and configure via Bluetooth app* on iOS and Android

APPLICATIONS:



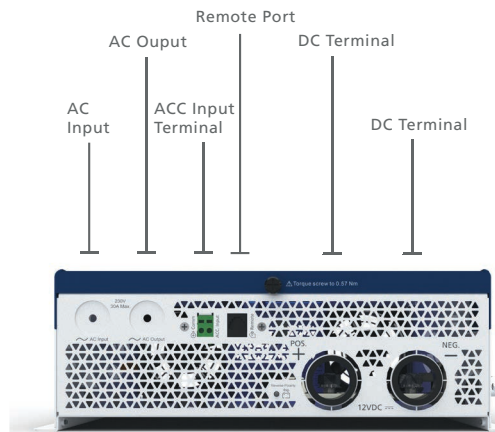
ETL listed to CSA Standard C22.2 No. 107.1 and UL 458* with Marine supplement

*For marine supplement compliance drip shield in specific mounting orientation is required. See installation guide.





TOP VIEW



SIDE VIEW



SIDE VIEW

INVERTER FEATURES

Extended Surge Rating

Surges to 2X continuous power for at least 2 seconds for motor loads

True Sine Wave AC Power

For operation of sensitive and motor loads

Ignition Control

Feature to turn inverter on/off via a 12 VDC signal and to minimize battery drain by switching the inverter off when the ignition key is turned off

Wide 10-18 VDC Input Range

Ensures inverter operation on high voltage alternators found on many new vehicle chassis

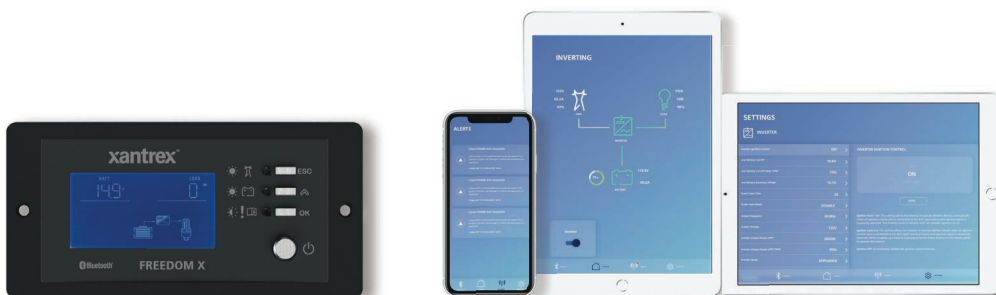
Built in 30A AC Transfer Relay

Senses when outside AC Power is present and transfers the load from the inverter to the source of incoming power

Programmable AC Under-Voltage (85-110VAC) Shutdown

Feature ideal to operate under weak shore power or generator input

FREEDOM X BLUETOOTH REMOTE PANEL + FXC CONTROL MOBILE APP



FREEDOM X BLUETOOTH REMOTE PANEL
(808-0817-02)

- Easily monitor system status
- Monitor alerts
- Change settings conveniently
- Connect via bluetooth
- Available on Android and iOS



DOWNLOAD ON



CONNECT WITH Bluetooth

ELECTRICAL SPECS - INVERTER

	FREEDOM X 1000	FREEDOM X 2000	FREEDOM X 3000
AC Output Operating Voltage Options	120, 110, 108 VAC	120, 110, 108 VAC	120, 110, 108 VAC
Continuous Output Power	Continuous Power 1000 W @40°C True sine wave (TSW)	Continuous Power 2000 W @40°C True sine wave (TSW)	Continuous Power 3000 W @40°C True sine wave (TSW)
Continuous AC Output Current	8.4 A	16.7 A	25 A
Surge Power (>2 sec)	2000 W	4000 W	6000 W
Frequency (Configurable)	60 (or 50) Hz	60 (or 50) Hz	60 (or 50) Hz
AC Operating Voltage Range	85-140 VAC	85-140 VAC	85-140 VAC
AC Safe Non-Operating Voltage Range	Up to 240 VAC	Up to 240 VAC	Up to 240 VAC
Operating voltage range	LBCO voltage - 18.0 VDC	LBCO voltage - 18.0 VDC	LBCO voltage - 18.0 VDC
Max Non-Operating Voltage	25.2 VDC	25.2 VDC	25.2 VDC
Nominal Voltage (inverting)	12.0 V	12.0 V	12.0 V
Nominal Current at Full Load	100 ADC	192 ADC	288 ADC
Peak Efficiency	91%	91%	91%
Full Load Efficiency	≥ 87.5%	≥ 87.5%	≥ 85%

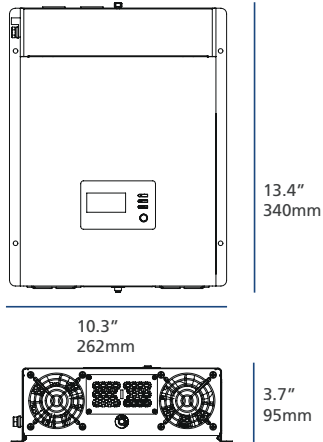
GENERAL SPECS

	FREEDOM X 1000	FREEDOM X 2000	FREEDOM X 3000
Operating Temperature Range	-4 to 140°F (-20 to 60°C), with output derated above 104 °F (40 °C)	-4 to 140°F (-20 to 60°C), with output derated above 104 °F (40 °C)	-4 to 140°F (-20 to 60°C), with output derated above 104 °F (40 °C)
Storage Temperature Range	-40 to 158°F (-40 to 70°C)	-40 to 158°F (-40 to 70°C)	-40 to 158°F (-40 to 70°C)
Operating Humidity Range	5 to 95% RH, non-condensing	5 to 95% RH, non-condensing	5 to 95% RH, non-condensing
Transfer Relay AC Current Rating	30A	30A	30A
Part Number	817-1000	817-2000	817-3000
L x W x H (without flanges)	13.4" x 9.1" x 3.7" (340mm x 232mm x 95mm)	14.6" x 10.8" x 3.9" (370mm x 275mm x 100mm)	15.4" x 10.8" x 4.0" (390mm x 275mm x 102mm)
L x W x H (with flanges)	13.4" x 10.3" x 3.7" (340mm x 262mm x 95mm)	14.6" x 12" x 3.9" (370mm x 305mm x 100mm)	15.4" x 12" x 4.0" (390mm x 305mm x 102mm)
Net Weight	11.5 lbs (5.2kgs)	14.7 lbs (6.7kgs)	16.5 lbs (7.5kgs)

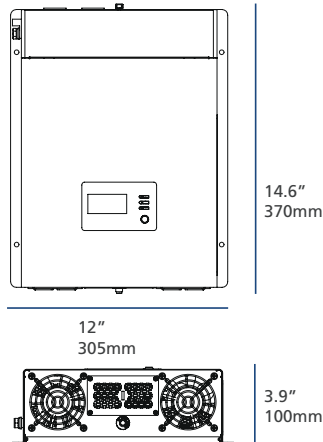
REGULATORY APPROVALS

	FREEDOM X 1000, 2000, 3000
Safety	ETL listed to CSA 107.1, UL458 and UL458 Marine Supplement (drip shield with product number 808-1050 required) ABYC E-11, A-31
EMC	CFR 47, FCC, PART 15, Subpart B, Class B and CAN ICES-3 (B) / NMB-3 (B)

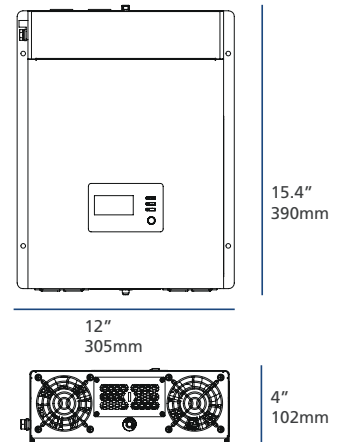
FREEDOM X 1000 DIMENSIONS



FREEDOM X 2000 DIMENSIONS



FREEDOM X 3000 DIMENSIONS



ACCESSORIES

Mfg Part #	Description
808-0817-01	FREEDOM X/XC Remote Panel (with 25' (7.62m) network cable)
808-0817-02	FREEDOM X Bluetooth Remote Panel (with 25' (7.62m) network cable)
31-6257-00 (7.62m), 31-6262-00 (15.24m)	Remote Panel Cable
808-0232-01	Battery Temperature Sensor (BTS)
808-9817	GFCI Option
808-1050	Drip Shield (for marine use)

